

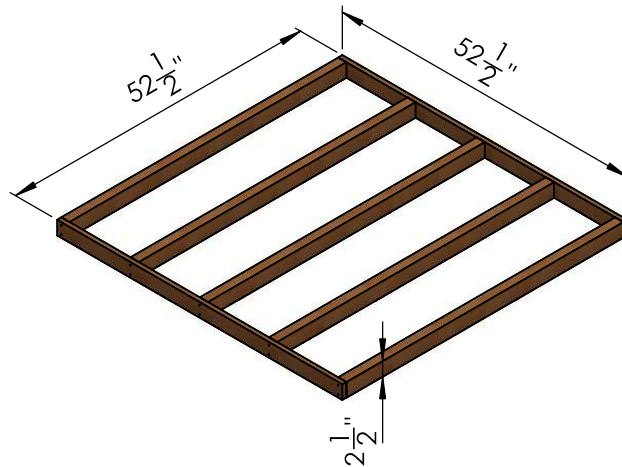
## SAUNA ASSEMBLY INSTRUCTIONS (PAGE 11-23)

### REQUIREMENTS:

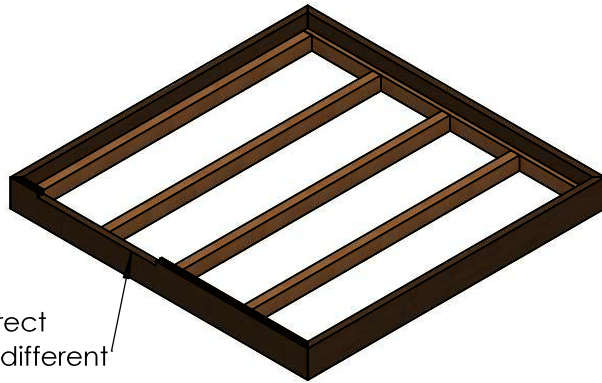
2 People (Recommended)  
Rubber Mallet  
Carpenter Level  
Carpenter Square  
Tape Measure  
Silicone  
Sand Paper  
Clamp

Nail Gun  
Cordless Drill  
Drill Bit set  
Step Ladder  
Utility Knife  
Wood Glue  
Wood Putty

### Step 1: Base Assembly



-Locate the 2x3 joists to provided pre drilled holes of the rim joist boards and screw from outside

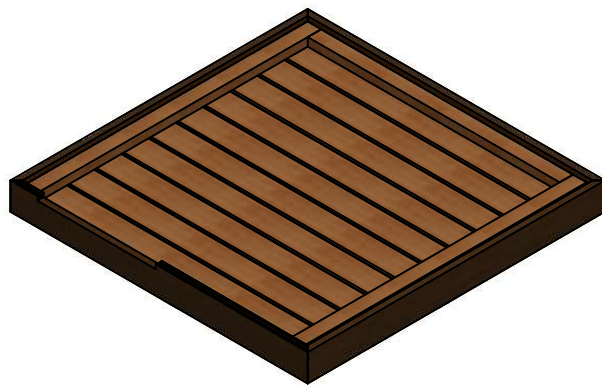


Cutout for Glass,  
Besure to use correct  
board, top trim is different

- Secure floor support boards using nails from inside
- Be sure the base is square

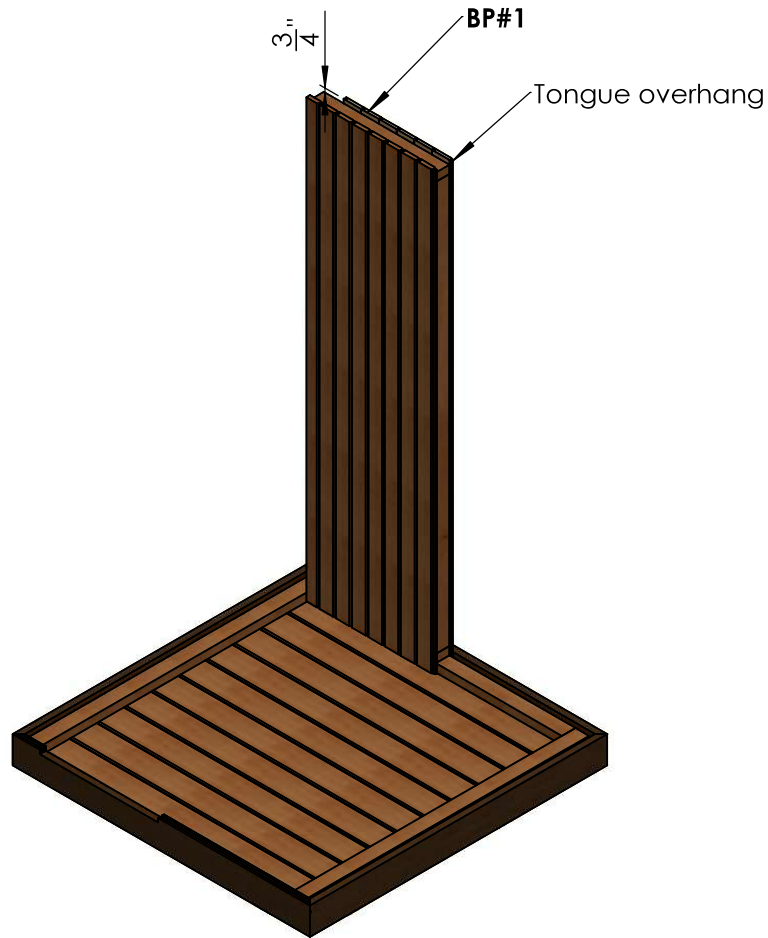


- Gather 1x6 tongue and groove boards
- Insert the boards into the frame ensuring that they are tight by tapping them together with a rubber mallet
- Fasten the boards into the end joists with 1-1/2" screws, this screws will be hidden by framing base plate

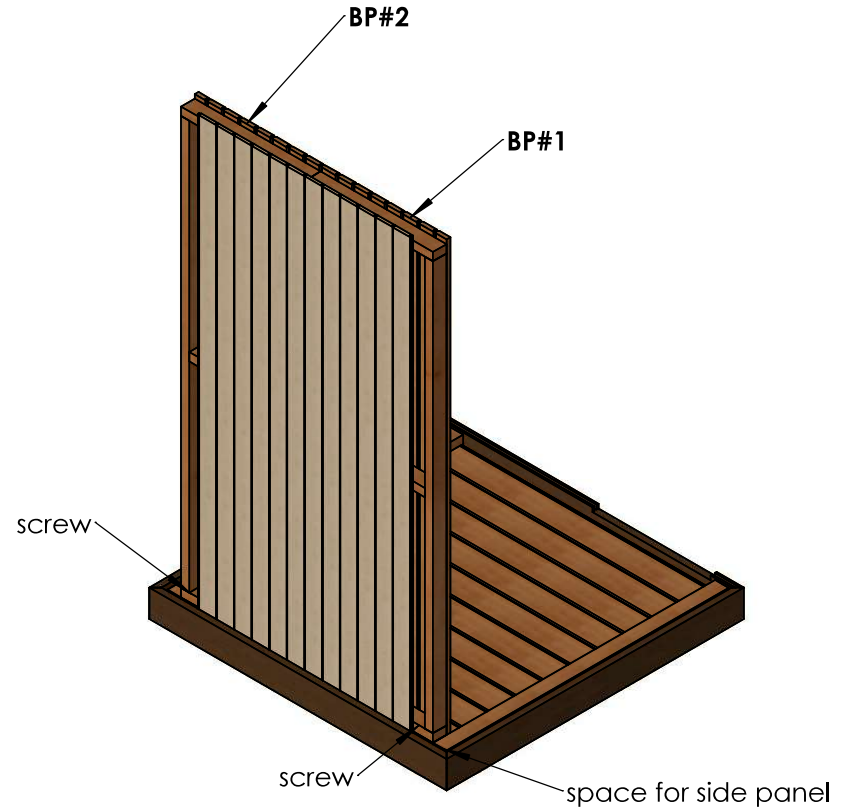


- Gather 2 side and 1 back plate
- Space them 9/16" from outer base side and back
- Attach plates to the base assembly using 2-3/4" screws
- Try to screw where joist are underneath for more secure connection

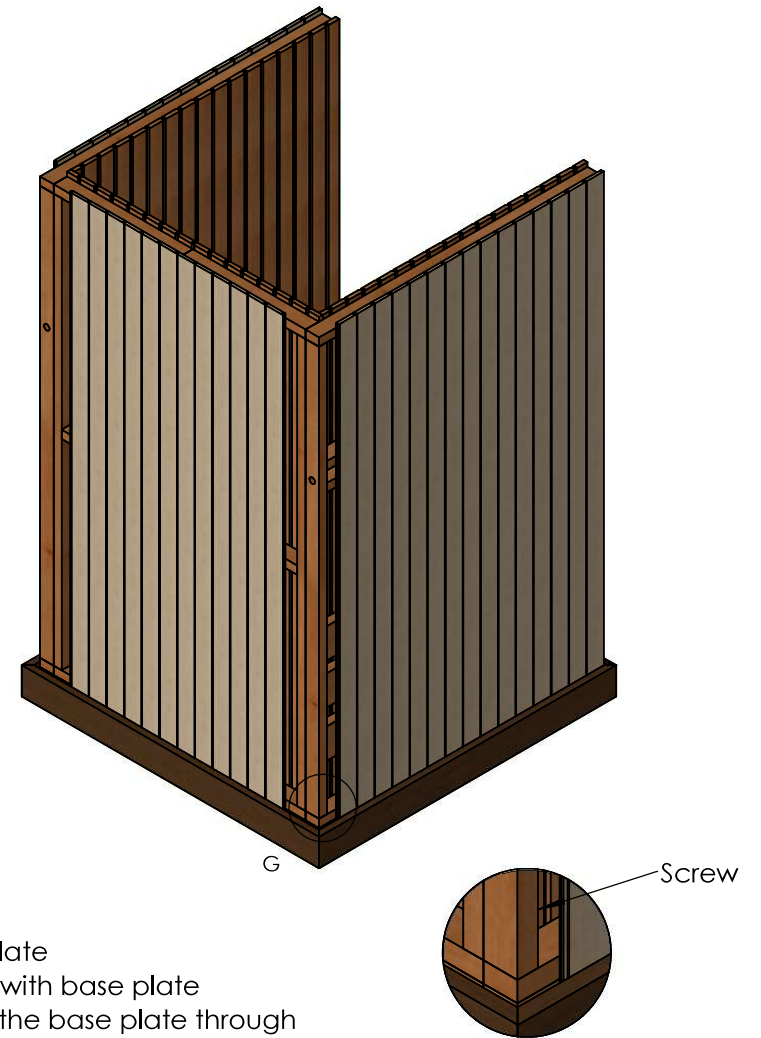
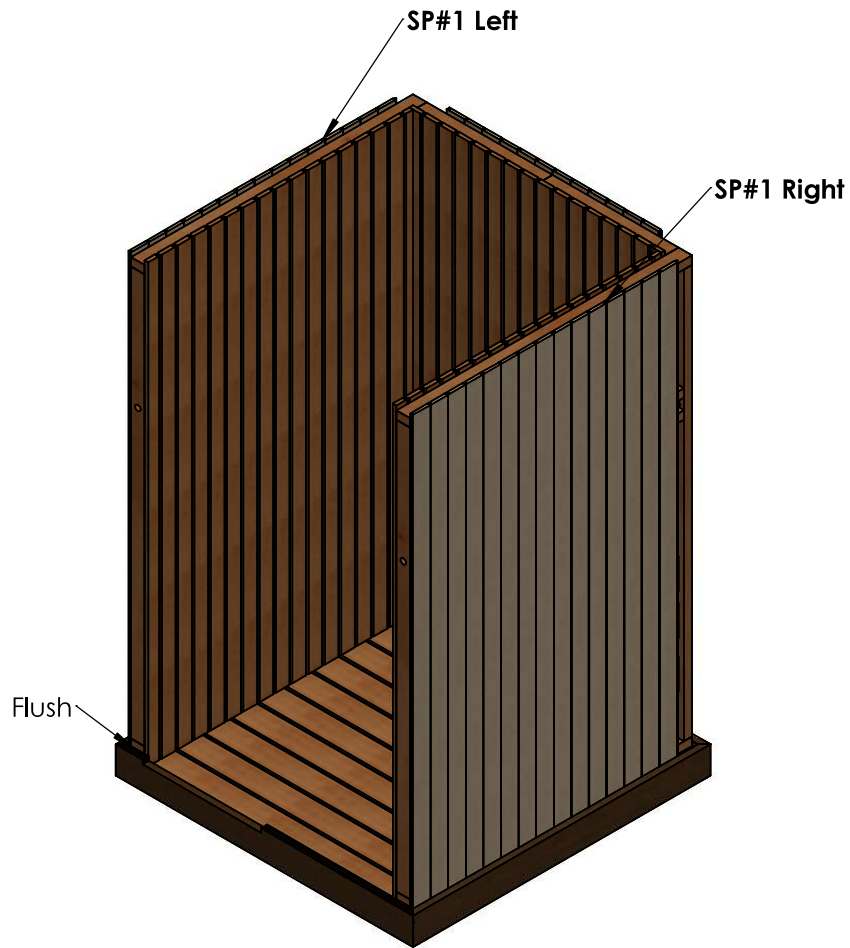
## Step 2: Add Back & Side Panels to Base



- Place the **BP#1** onto the back base plate as shown
- To keep it upright, use 2 screws to fasten it to the base plate through small space at the end

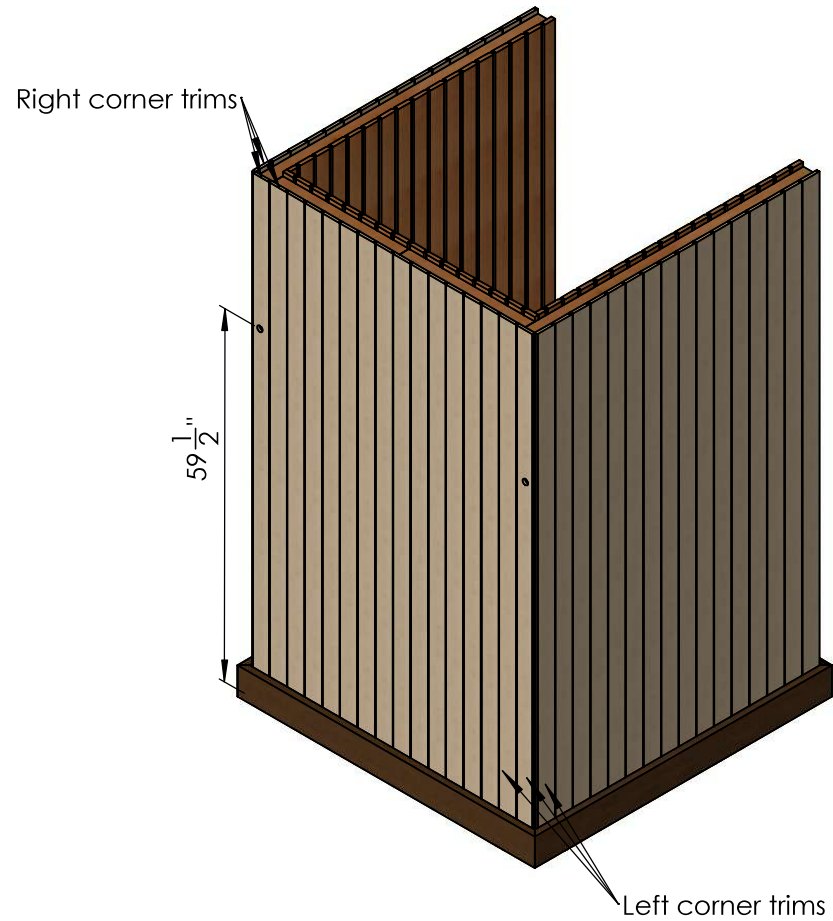


- Place the **BP#2** onto the back base plate as shown
- Use the rubber mallet to adjust, make sure space for side panel
- To keep it upright, use 2 screws to fasten it to the base plate through small space at the end



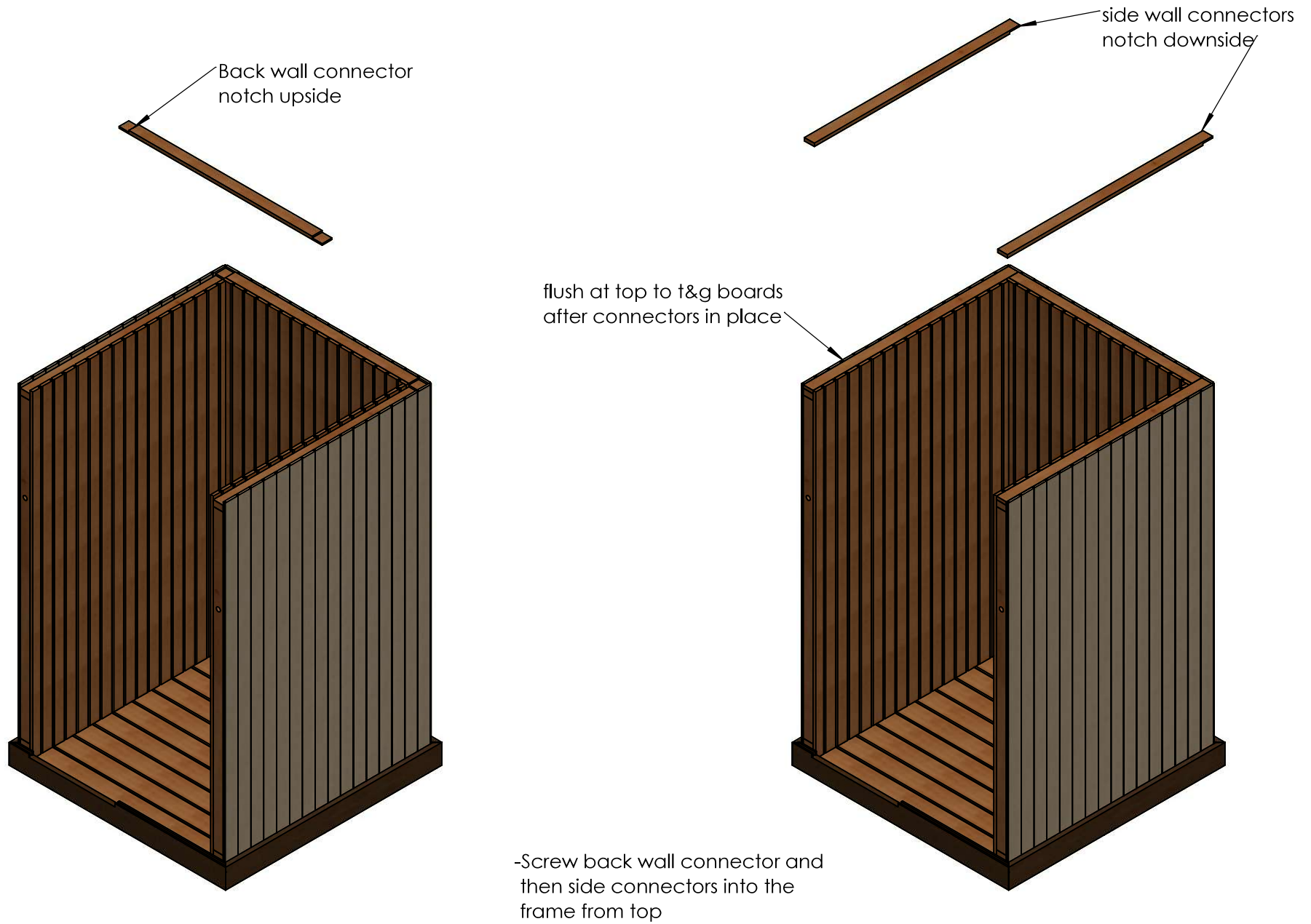
- Place the side panel **SP#1** onto the side base plate
- Use the rubber mallet to make the frames flush with base plate
- For upright strength, use 2 screws to fasten it to the base plate through small space at the end
- Screw into the back frame through the side frame at 3 places
- Repeat the process on the other side for another side panel **SP#1**

DETAIL G



- Nail back corner trim boards to assembly as shown
- Make sure to use board with hole at the back side corner as shown, which will align to the hole of the side frame stud

### Step 3: Add Wall Connectors

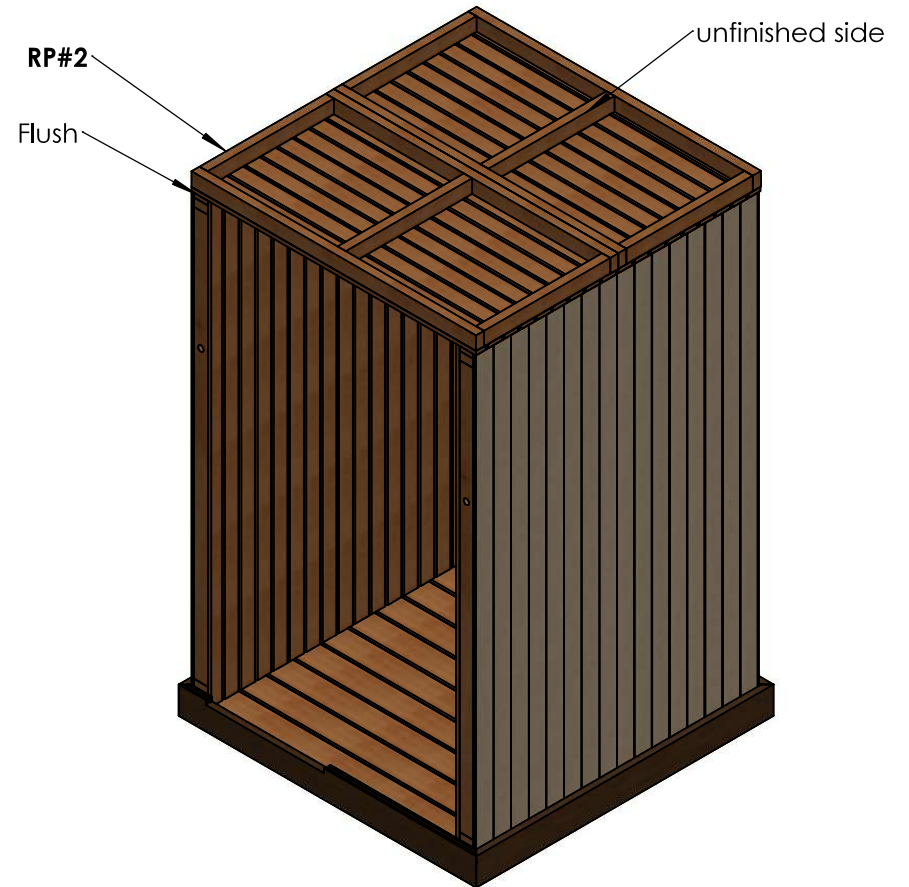
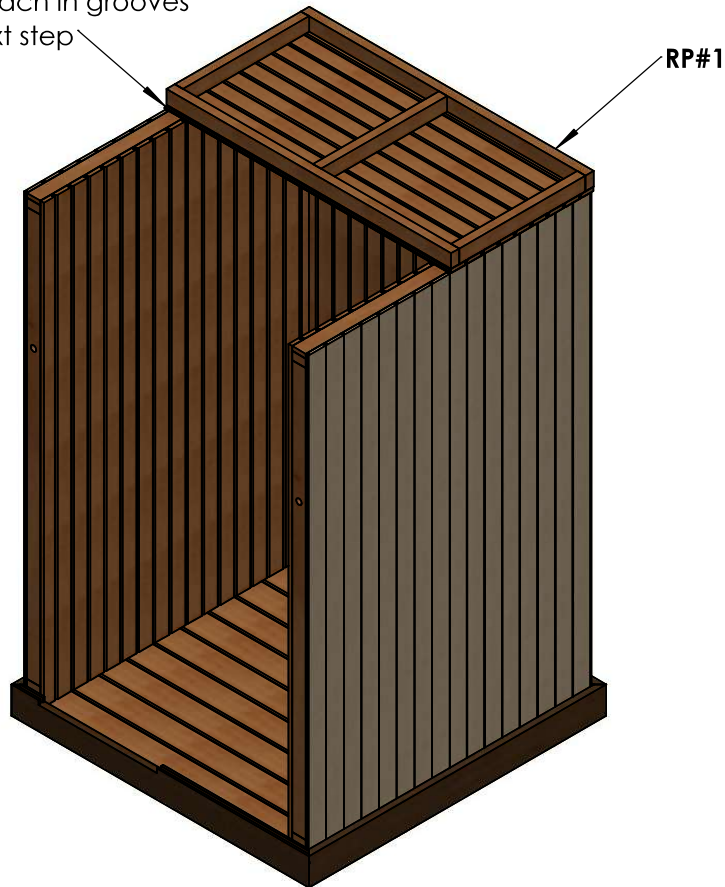


- Place the roof panel **RP#1** on the top of the sauna at the back side
- Ensure the roof panel is flush to the back and side of the sauna
- Note the orientation of the roof panel, grooves should line up with the sauna side panel's grooves
- Screw from top into the frames

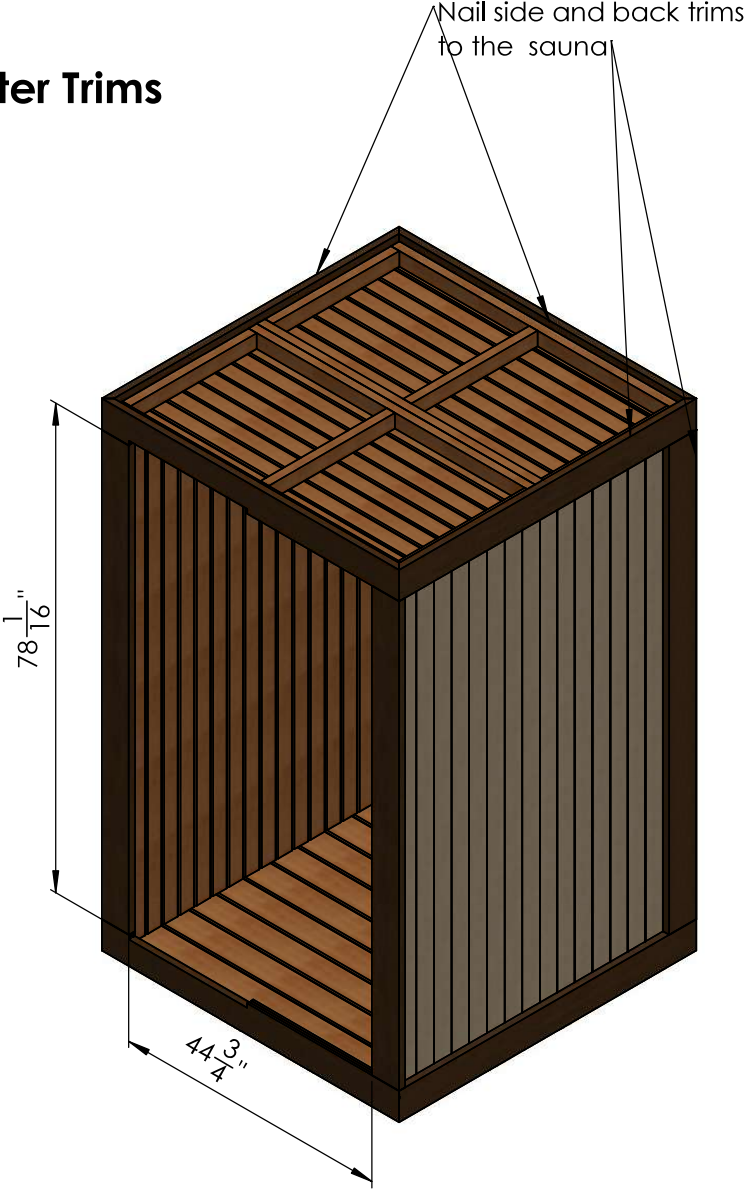
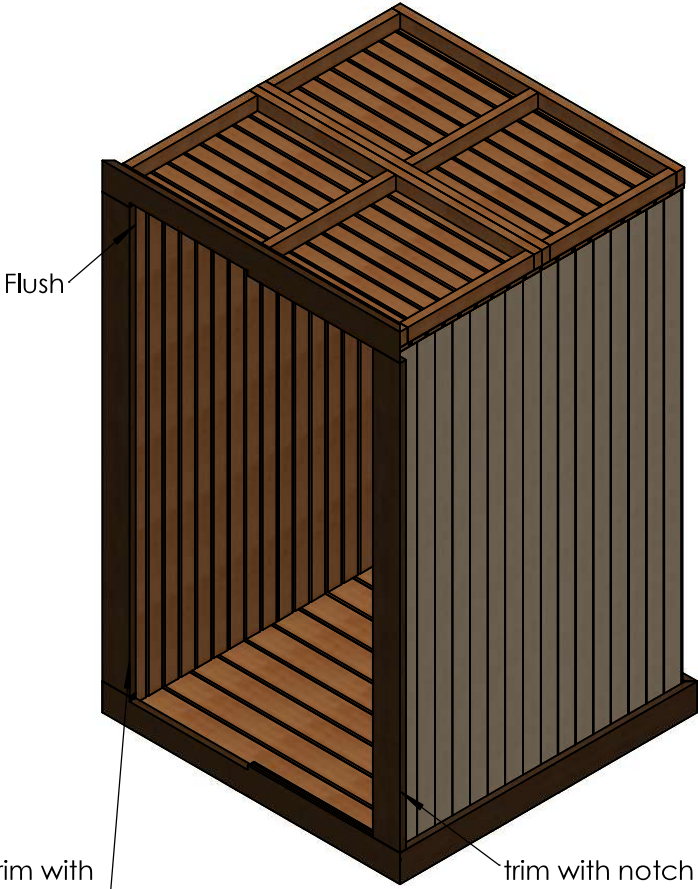
- Place the roof panel **RP#2** on the top of the sauna
- Use rubber mallet to in place tongue and groove connection
- Ensure the roof panel **RP#2** is flush at the front and sides of the sauna

## Step 4: Add Roof Panels

Tongue overhang to attach in grooves in next step



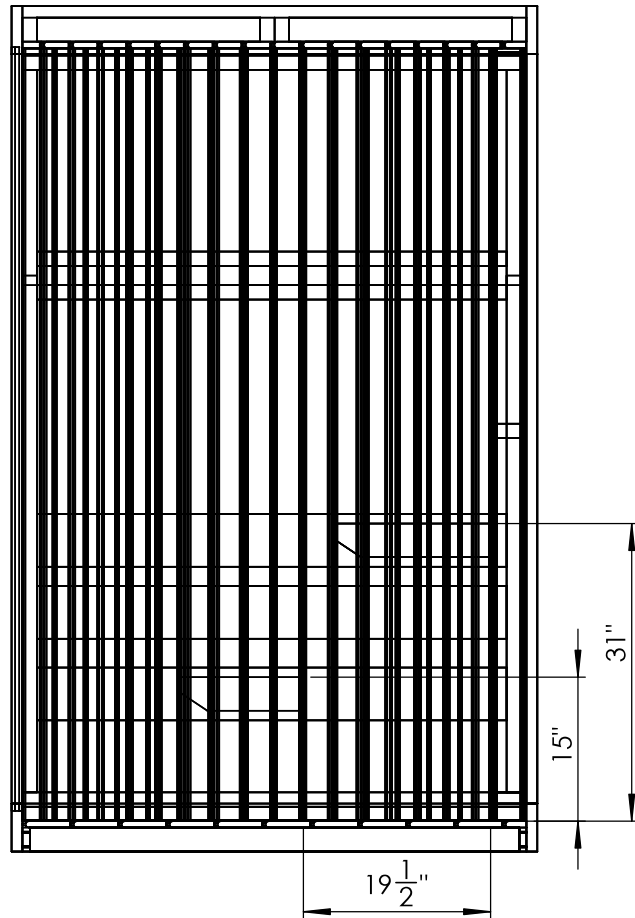
# Step 5: Add Outer Trims



-Nail front trims to the sauna  
 -Use wood putty to cover nail marks

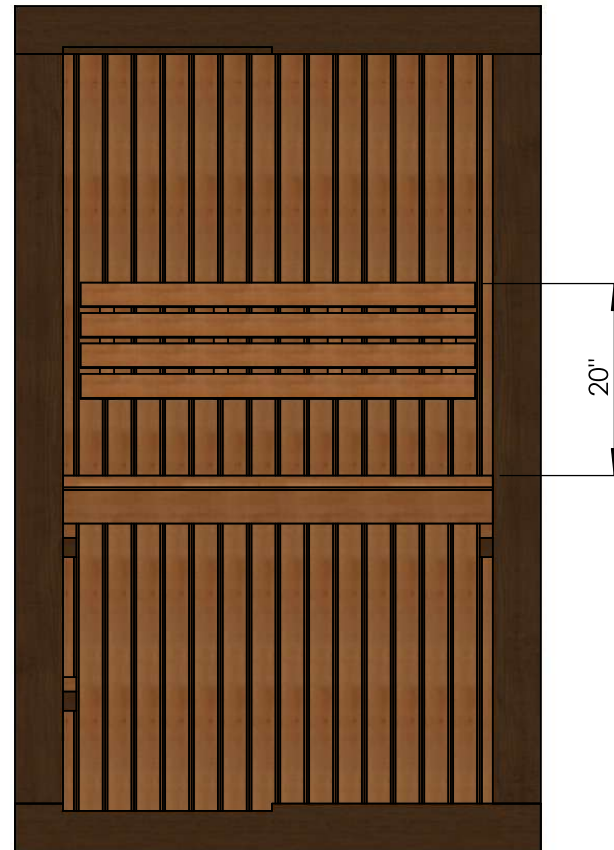
-Note the opening sizes  
 -Make sure trims are square to fit glass panels

## Step 6: Add Benches, Back Rest, Inside Trims & Heater



Side View- Wire Frame

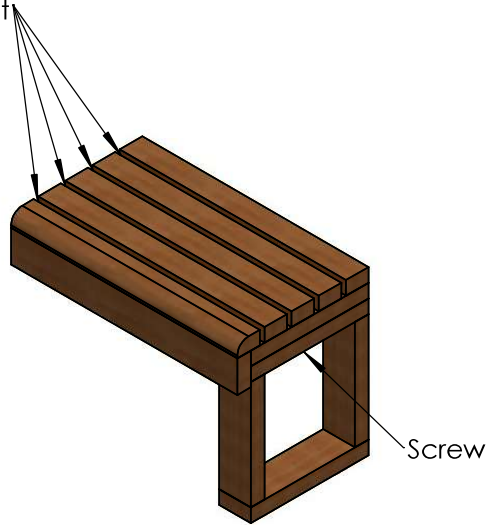
- Screw upper bench supports to the sides of the sauna
- Screw lower bench support on opposite side of the heater
- 1x6 blocking is provided in the frame to hold them



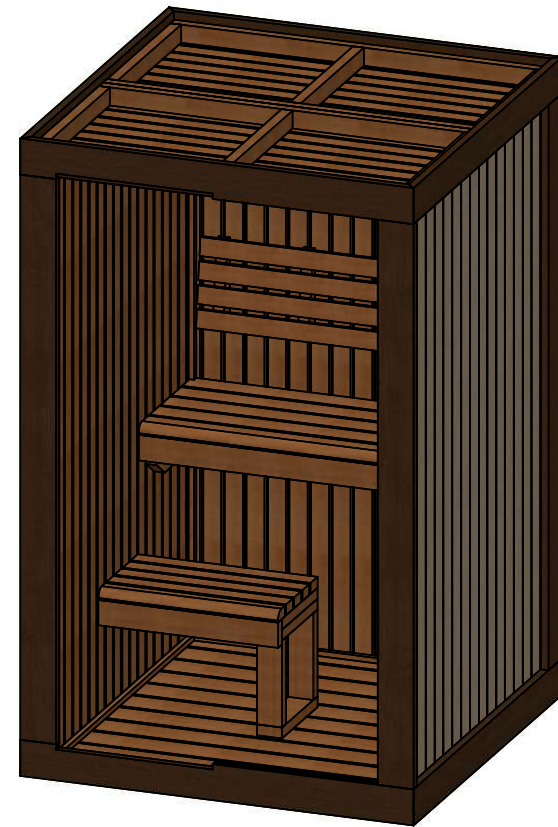
Front View

- Place the upper bench on the support installed
- Attach back rest on center of the sauna

screw in between  
of slats into  
side cleat



- Gather lower bench & support
- Pre drill and screw support to the bench from underside
- No visible screw



- Nail inside corner trims (to be cut to fit)



- Install the Electric Heater to the sauna
- Please follow detailed installation guide found on LeisureCraft website as per your choice of heater
- Install Heater Guard as below,
- Stand the 2 assembled side pieces of the heater guard on edge with pre-drilled holes on the bottom
- Screw heater guard support to either side using two 1-1/2" screws per side
- Repeat for the bottom heater guard support
- Place two 2-1/2" screws into the pre-drilled holes on either side of the heater guard to prepare for mounting
- Center the guard around the heater and secure to wall with the preplaced screws
- Ensure the guard is level and secure the other side

## Step 7: Add Doors, Hardwares & Heater



- Apply small silicone bead inside the grooves of the trims if needed
- Slide the fixed glass panel into the grooves of the outer trims

- Install hinges first on the fixed door side, with the screw heads facing toward the sauna interior, remove the interior metal pieces of the hinges
- Be sure to inplace rubber gaskets in between and they should not be visible, screw in from inside
- Remove the interior metal pieces of the other side of the hinge and inplace the gaskets
- Place the door to the hinges and gaskets, use wood shims support to adjust the height
- Place the interior gaskets on the glass and re-attach the interior hinge piece, tighten the screws
- Check the glass spacing for any contact or binding
- Adjust the door hinge adjustment screws if needed, Glass door should stop on the back part of the trims
- Gather the door handle parts, add the gasket and inplace the screw from inside
- Add Rubber Sweep to the glass door



Install this first