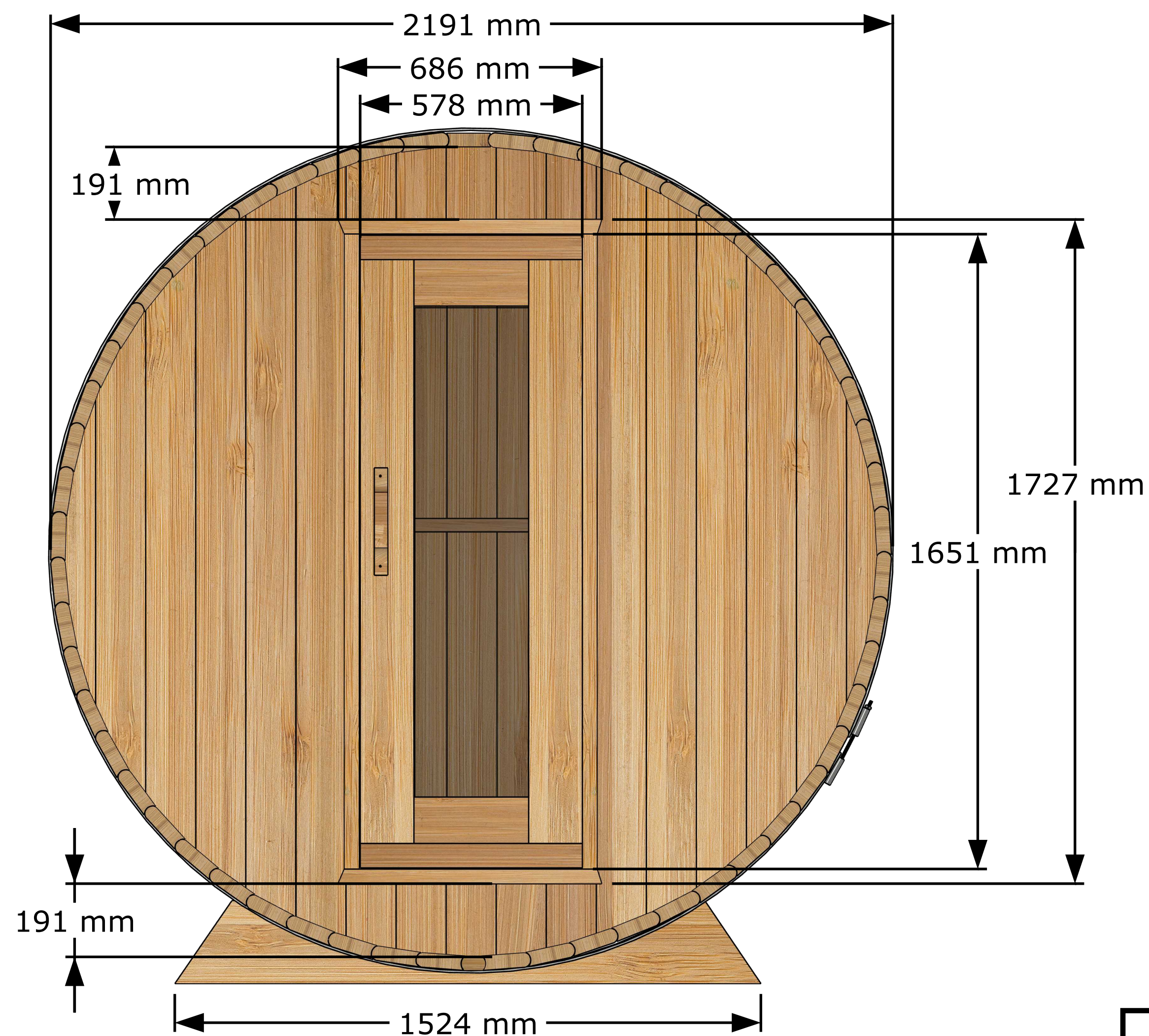


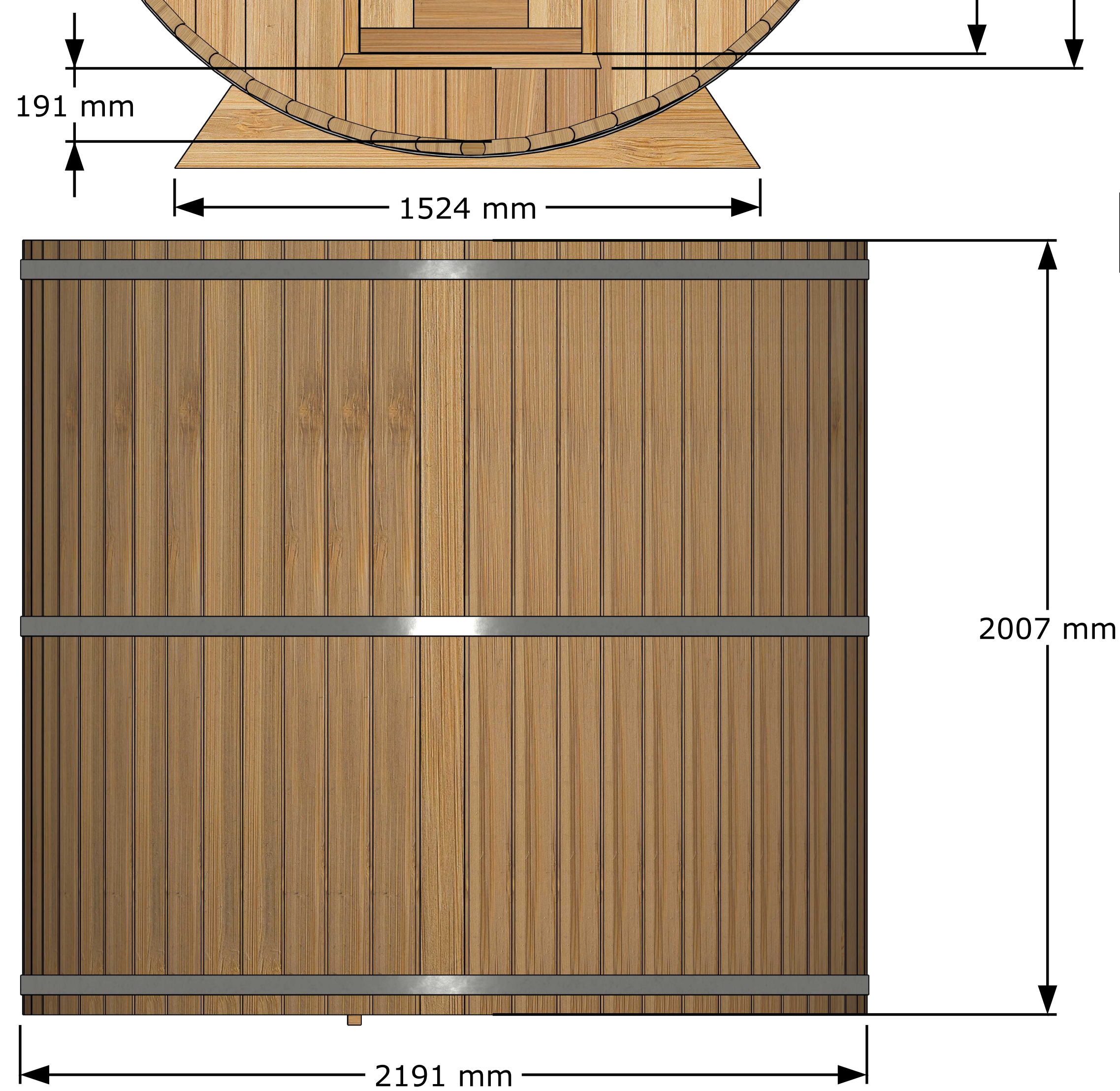
Front View



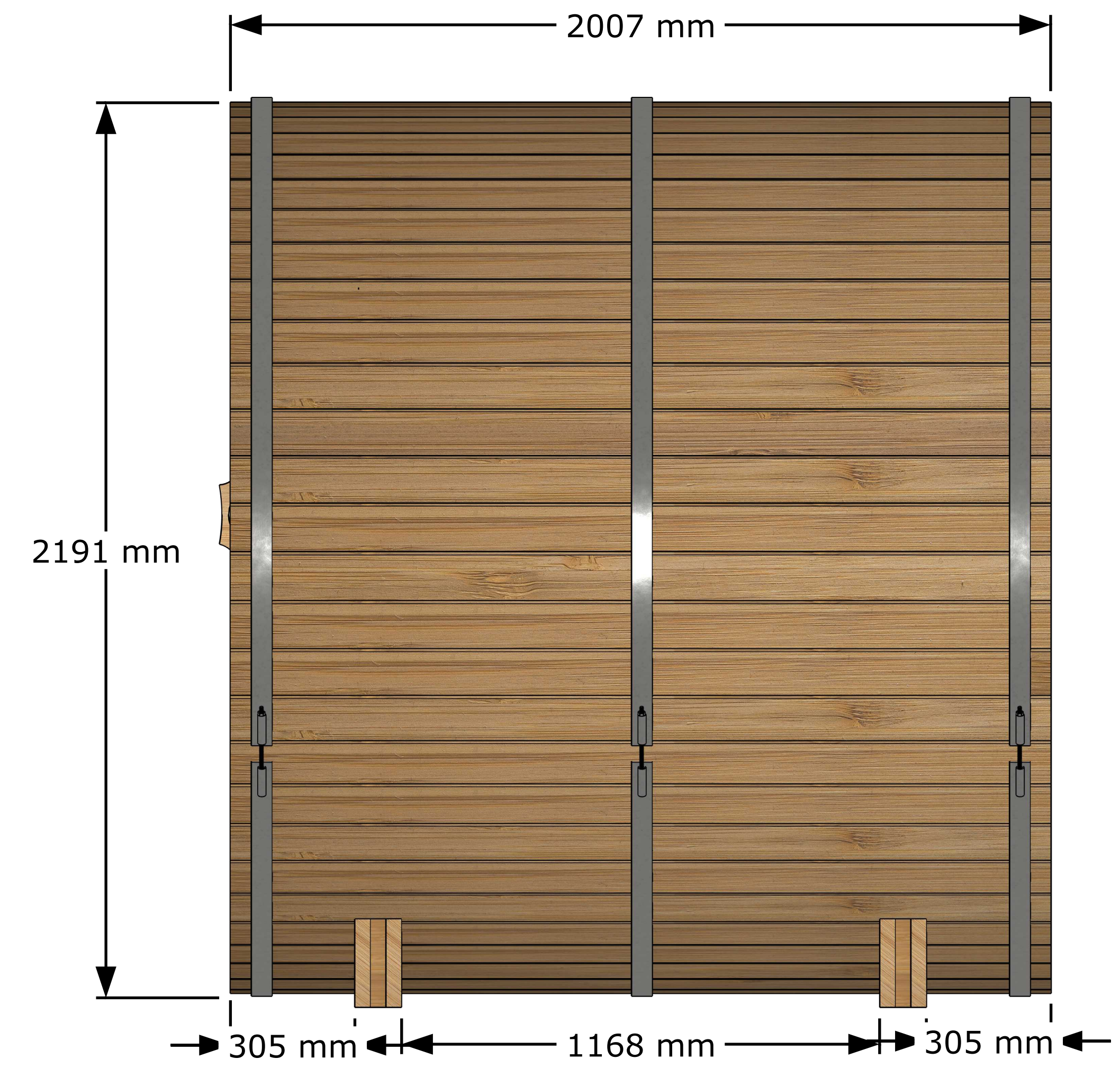
Perspective View



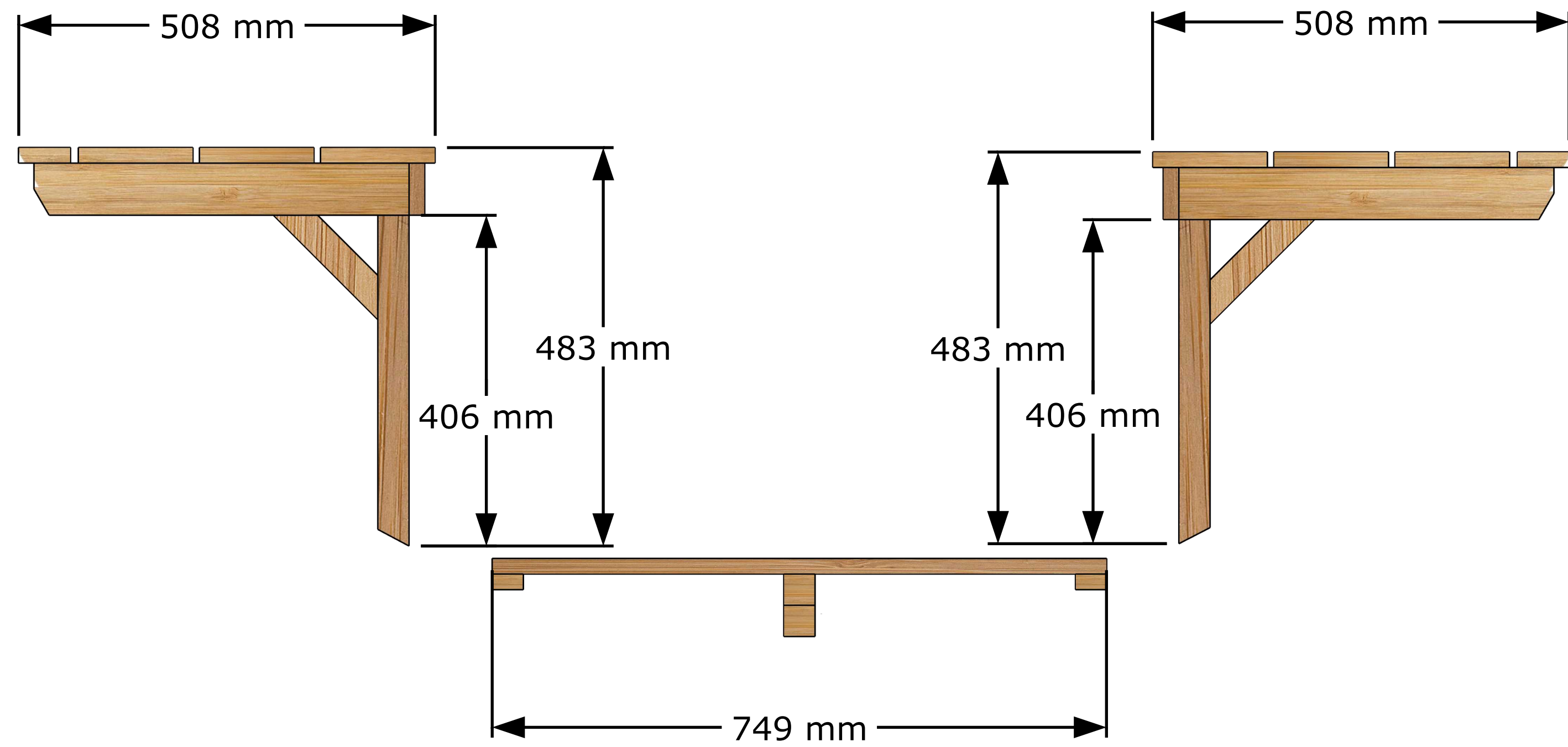
Top View



Side View



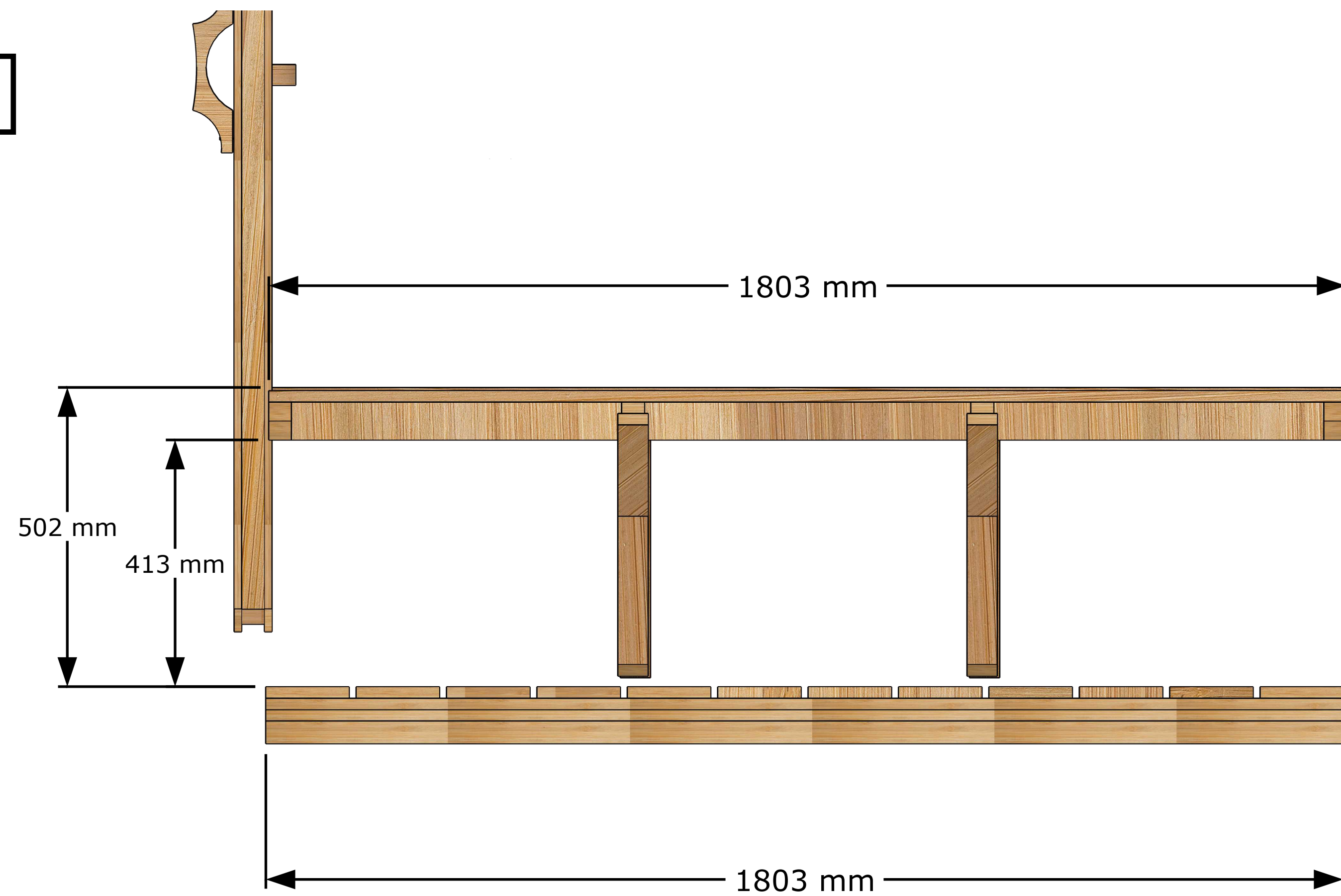
Front View



Xray View



Side View



Interior View

