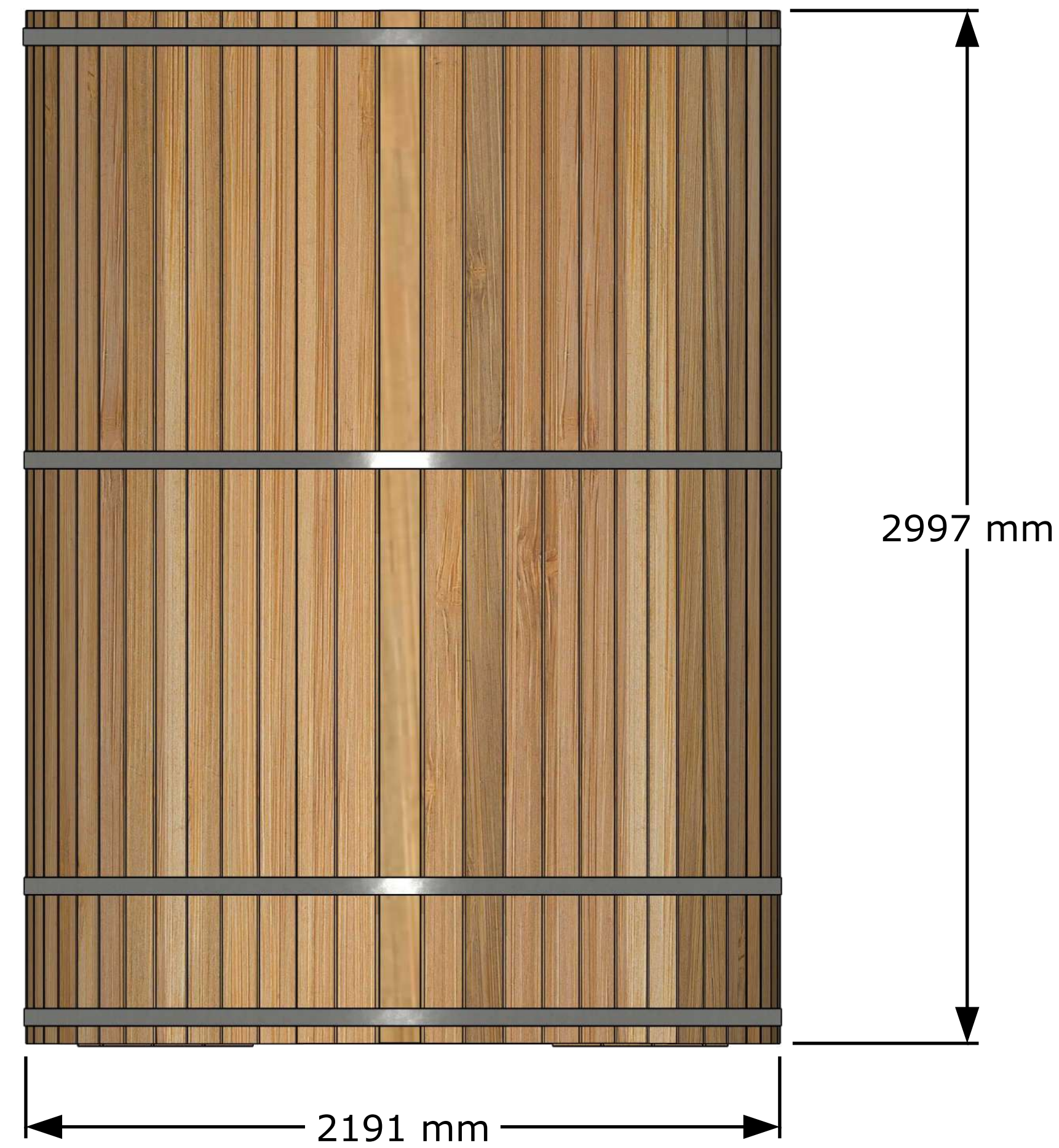
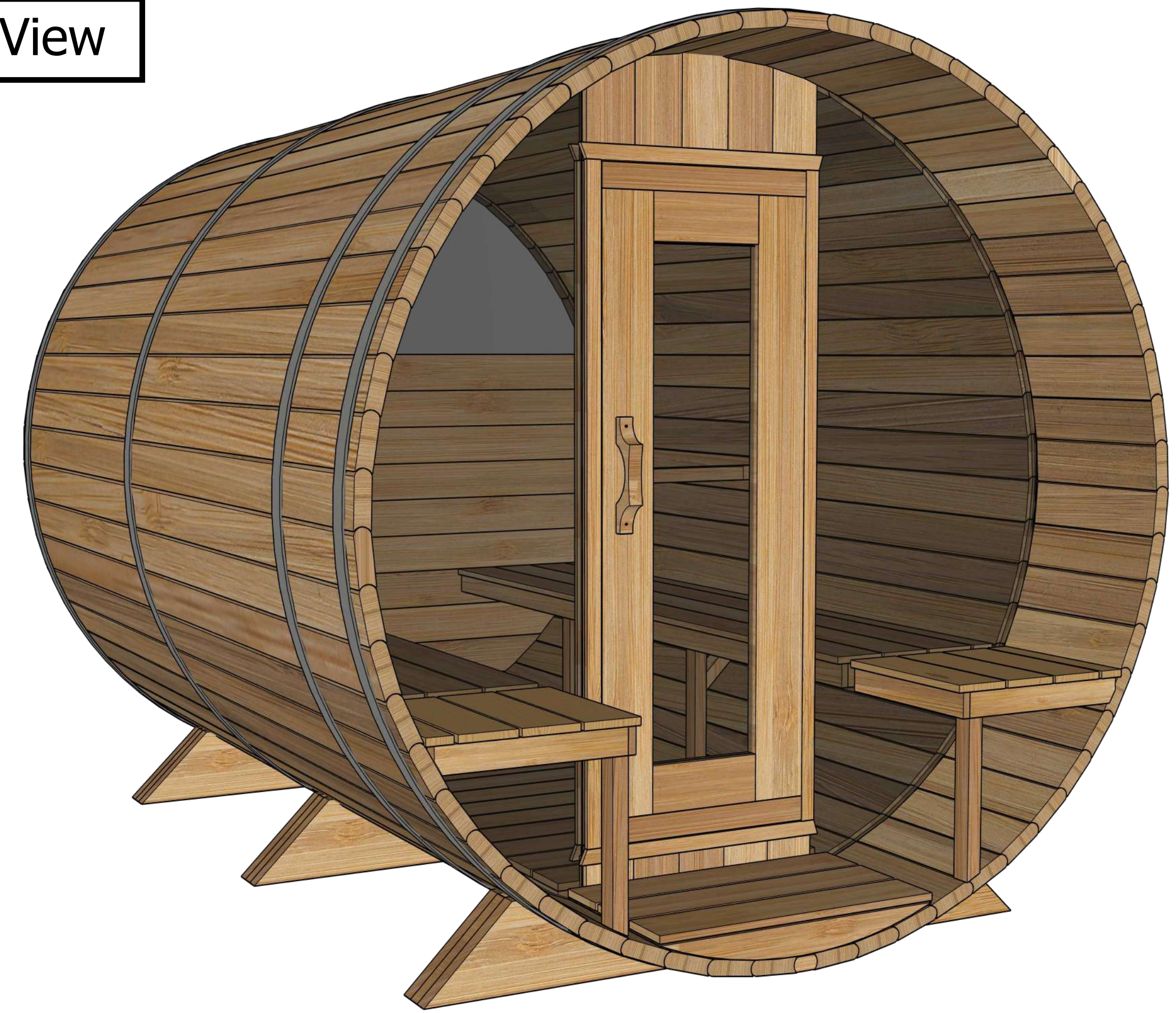


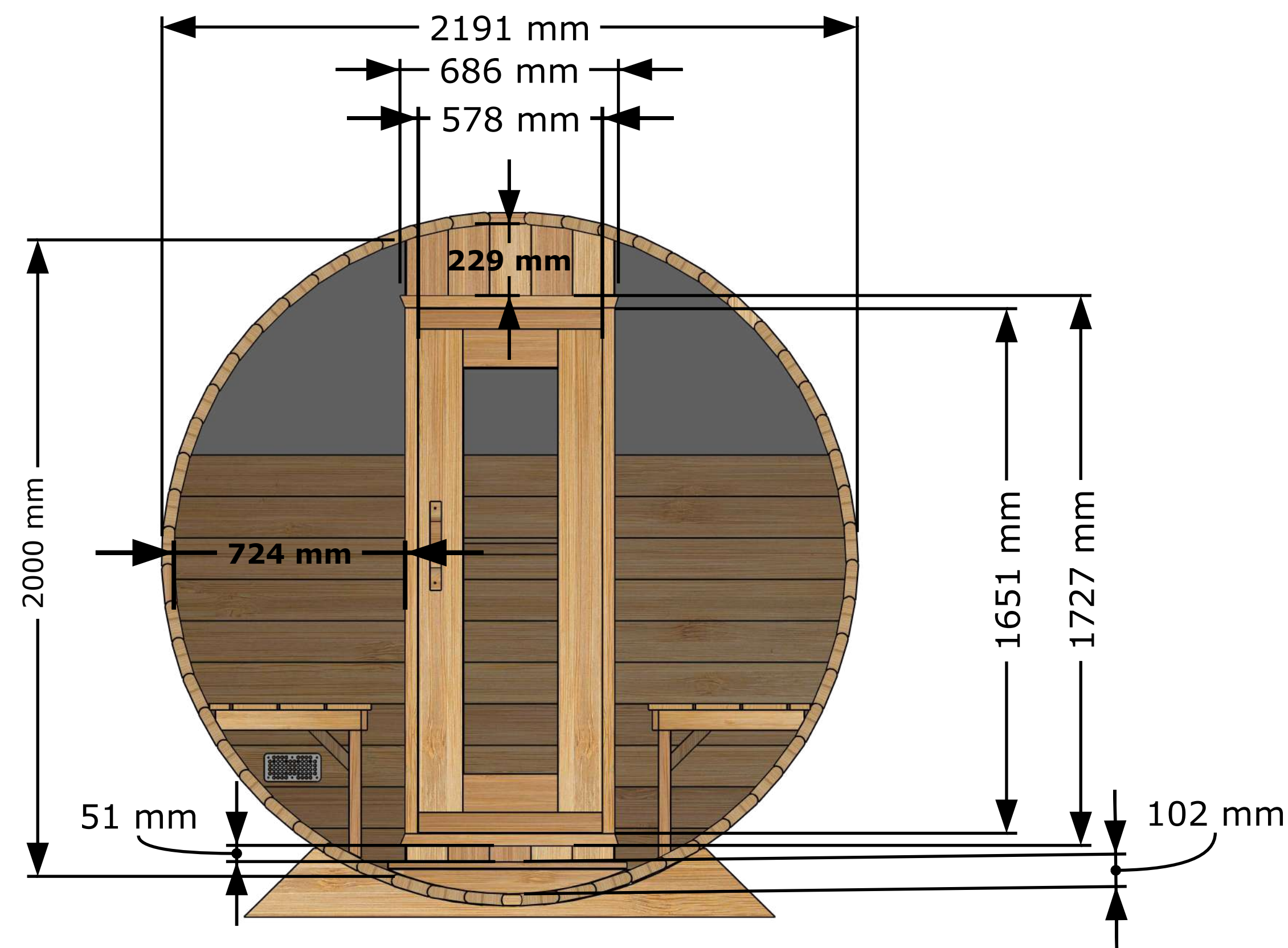
Front View



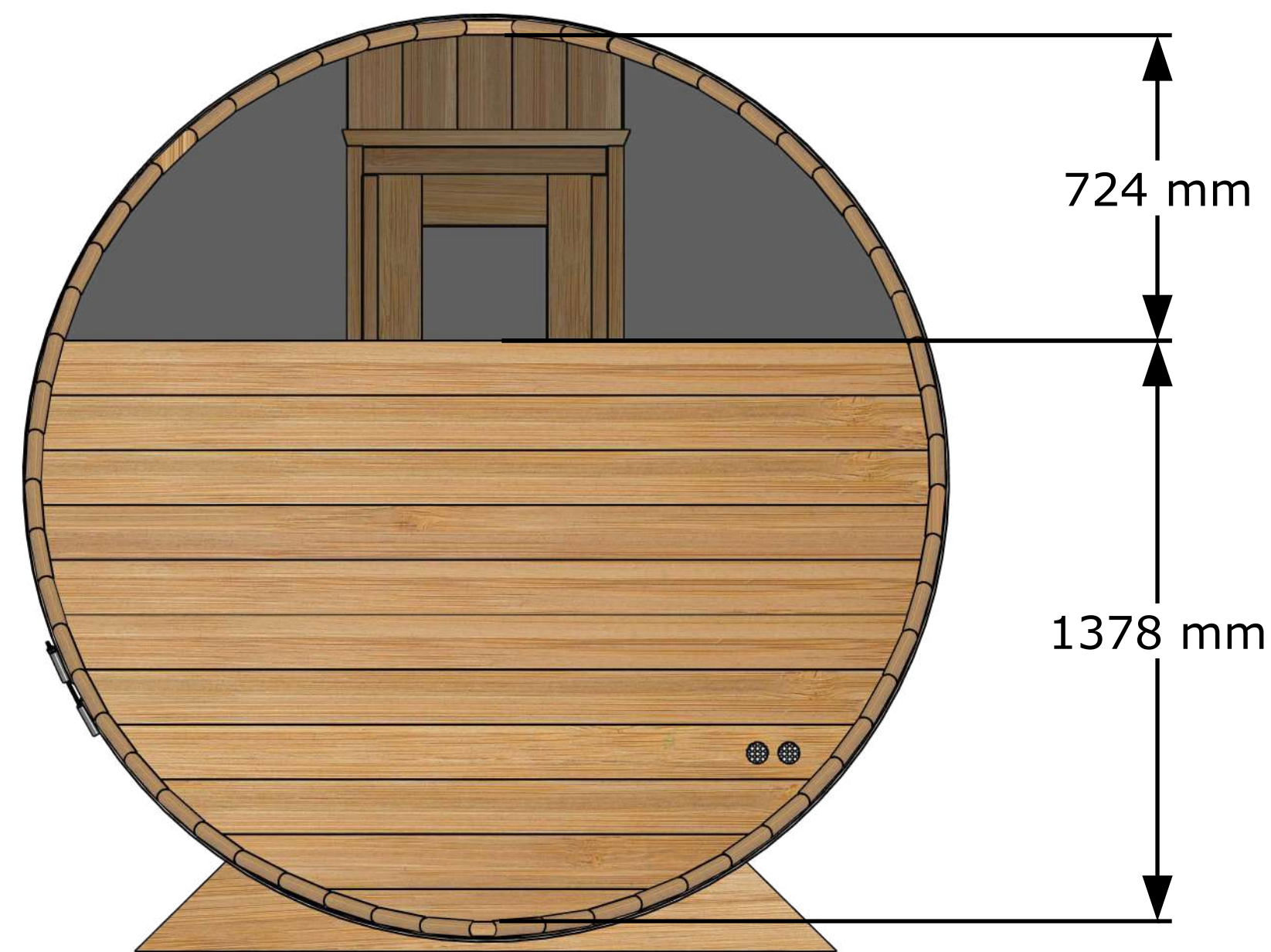
Perspective View



Top View



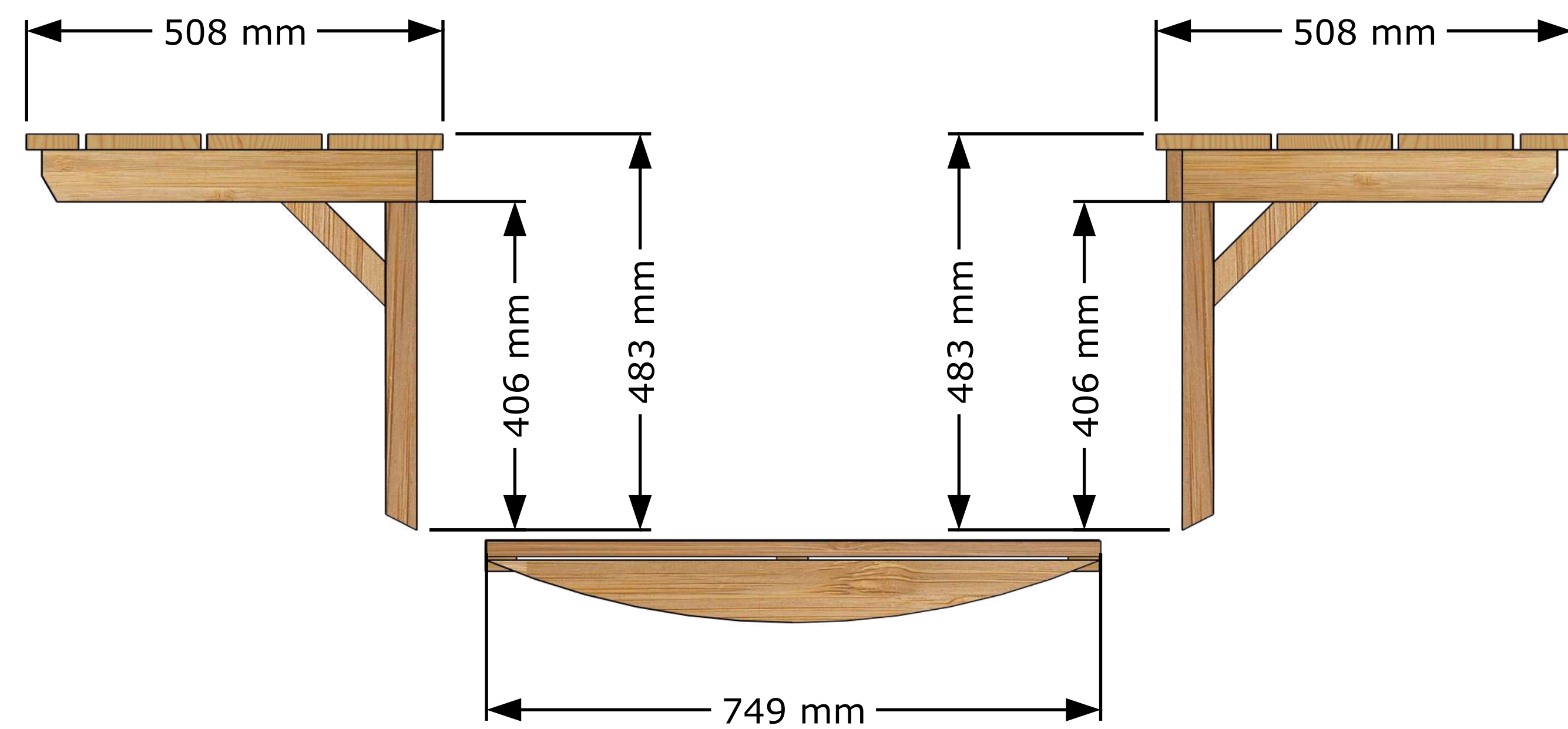
Rear View



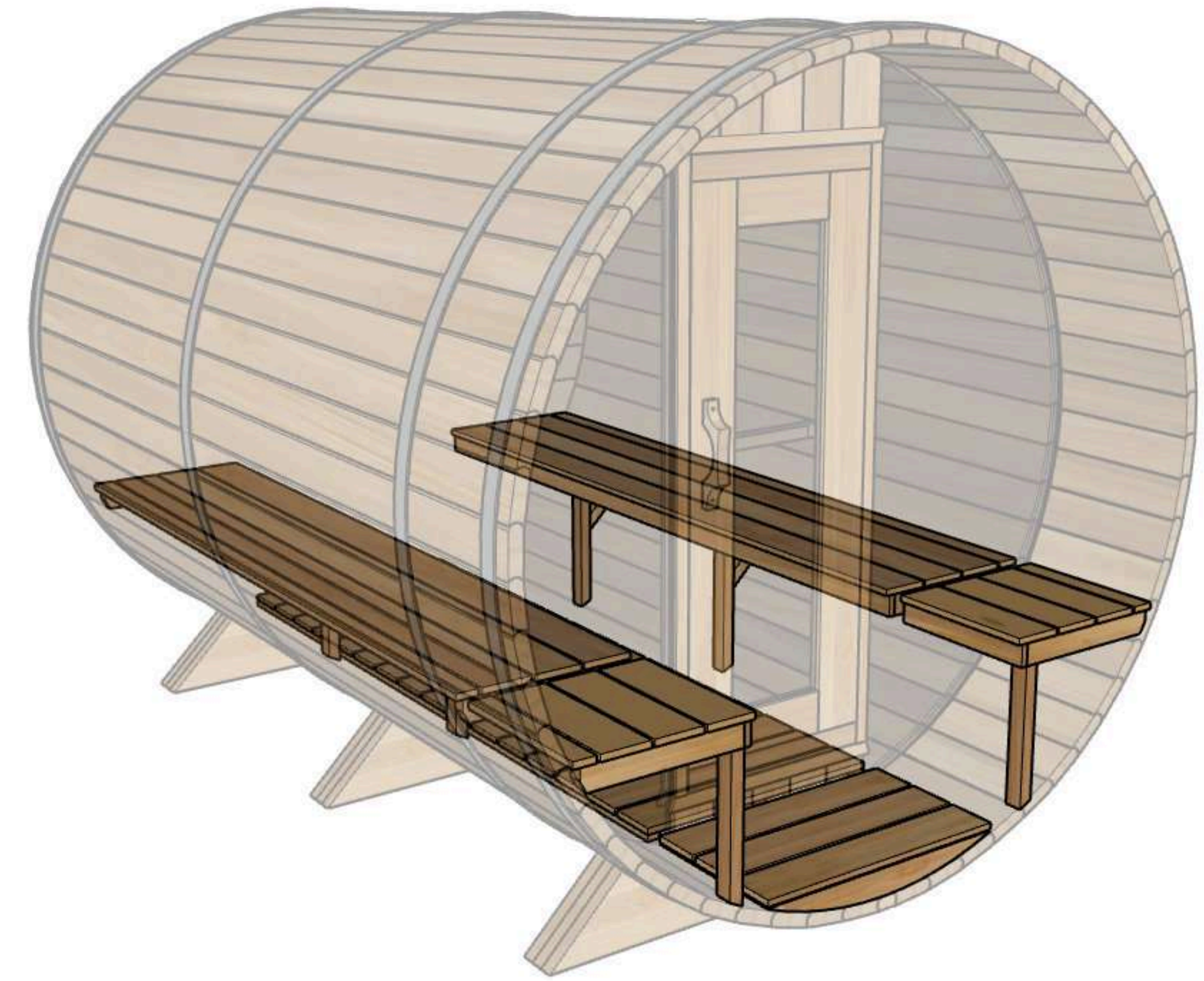
Side View



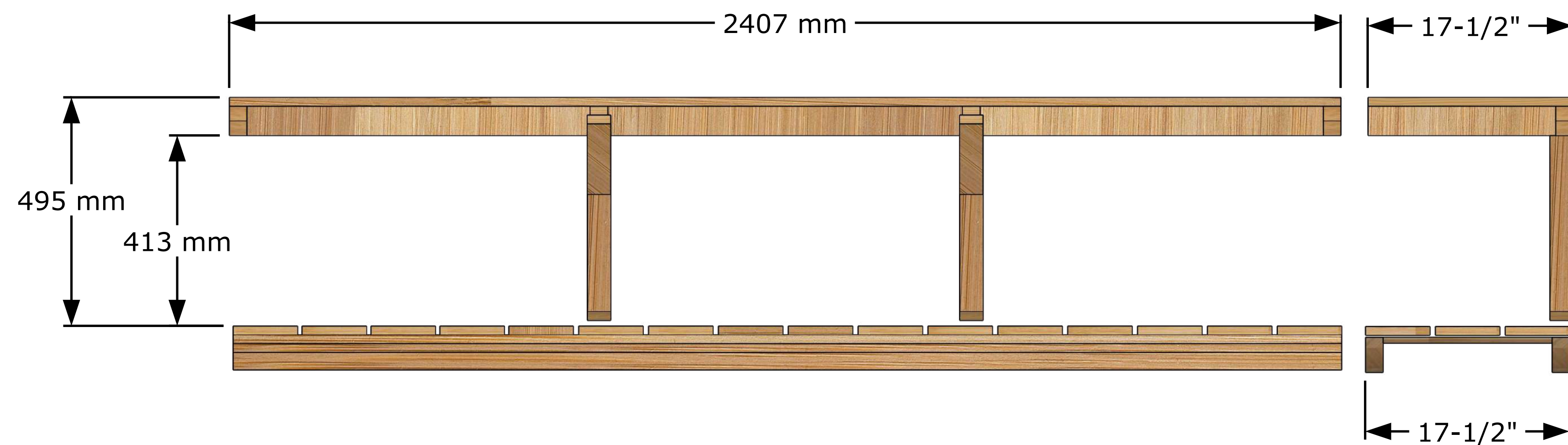
Top View



Xray View



Front View



Side View

